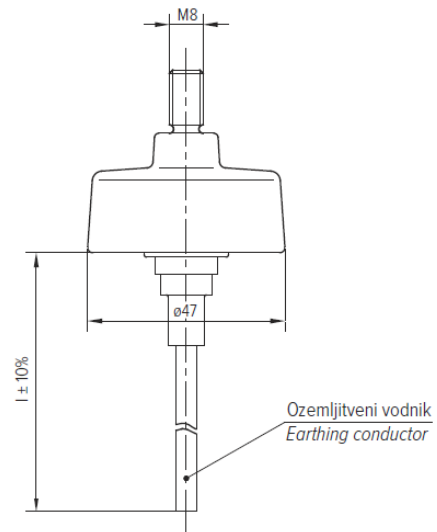


IZOELEKTRO

MOSIPO 15/690

| | |
|------------------|--|
| Name | Low voltage Surge Arrester |
| Product | MOSIPO is a low voltage metal oxide surge arresters with silicone coating. They are designed to be installed in LV power lines or in junction boxes up to 1 kV as the first level of protection against direct lightning strikes |
| Code (l = 0,5 m) | 20 66 27 |
| Code (l = 1,0 m) | 20 66 32 |
| Characteristics | The disconnecting device reacts after a certain number of strokes when in normal operation the current through the surge arrester increases over 1 mA or in case of atmospheric discharge (current bigger than 65 kA). |



Technical specification

General data

| | |
|-------------------------------|---|
| Response time: | $t_A < 25 \text{ ns}$ |
| Ambient temperature range: | $T = -40^\circ\text{C} \dots +85^\circ\text{C}$ |
| Ingress protection level: | IP 67 |
| Coat: | silicone LSR |
| Silicone colour: | grey |
| Tested according to standard: | IEC 61643-11 |
| IEC class: | II |
| Earthing conductor | H07V-K |

Technical characteristics

| | |
|--------------------|-----------|
| U_c (AC/DC) | 690/910V |
| U_p | 3,0 kV |
| W | 3960 J |
| Weight (l = 0,5 m) | 0,1000 kg |
| Weight (l = 1,0 m) | 0,1300 kg |

Packaging

Standard packing: 100 pcs/box
Extra packing: 3 pcs/box

Support

The position for installing NNO and MOSIPO surge arresters is decided by directives and technical regulations. They must be installed:

- on all branches and ends of low voltage overhead power lines,
- at a maximum mutual distance up to 1000 m,

- at a distance smaller than 500 m, where storms occur more often,
- in all passages from free conductors to cables and vice versa.